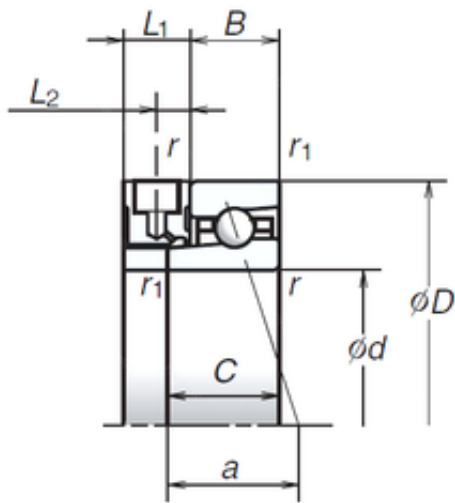




## BEARING-SINGAPORE (PTE)LTD.



100 mm x 150 mm x 24 mm NSK 100BER10XE  
angular contact ball bearings

Bearing No. 100BER10XE

Size	100x150x24 mm
Bore Diameter	100 mm
Outer Diameter	150 mm
Width	24 mm
d	100 mm
D	150 mm
B	24 mm
C	29 mm
L2	7,5 mm
Angle ( ° )	25 °
a	46,2 mm
r min.	1,5 mm
r1 min.	1 mm
L1	15 mm
Weight	1,359 Kg
Basic dynamic load rating (C)	34,5 kN
Basic static load rating (C0)	34,5 kN
(Grease) Lubrication Speed	24 000 r/min

100BER10XE Bearing 2D drawings and 3D CAD models