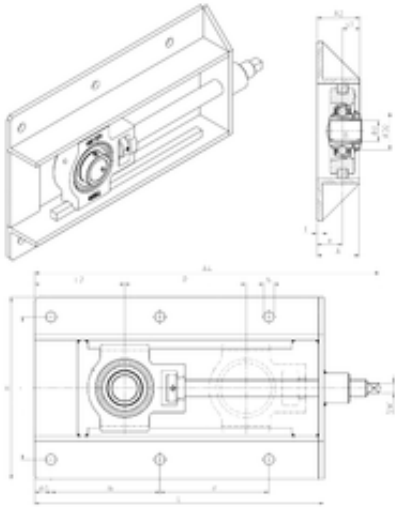




BEARING-SINGAPORE (PTE)LTD.

SNR UKT211H+WB bearing units

Bearing No. UKT211H+WB



UKT211H+WB Bearing 2D drawings and 3D CAD models

Bore Diameter	50 mm
d	50 mm
A4	631 mm
P	300 mm
e	38 mm
L2	114 mm
s1	29 mm
SW	19 mm
A	65 mm
B	59 mm
D2	75 mm
H	301 mm
J	240 mm
L	542 mm
M	230 mm
M1	22 mm
N	15 mm
T	6 mm
A2	67 mm
Weight	18,5 Kg
Basic dynamic load rating (C)	43,55 kN
A1	22 mm
A5	29 mm
B1	59 mm
d1	75 mm
G	M6x1



BEARING-SINGAPORE (PTE)LTD.

H1	130 mm
H2	102 mm
L1	106 mm
L3	95 mm
N1	25 mm
N2	64 mm
C	43.55 kN
C0	29.2 kN
T min.	-20 ° C
T max.	100 ° C
Adapter sleeve reference	H2311
Designation of housing	T211-
Designation of bearing	UK211G2H