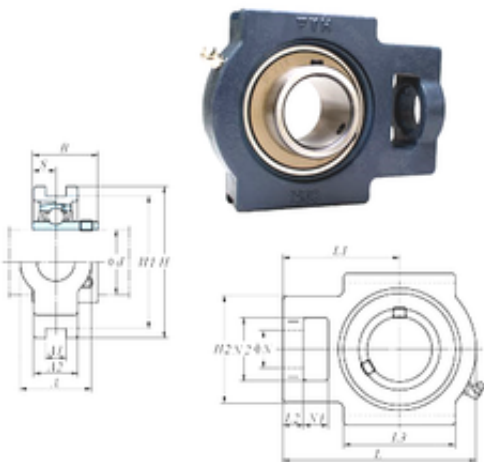




BEARING-SINGAPORE (PTE)LTD.

FYH UCT209-26E bearing units

Bearing No. UCT209-26E



UCT209-26E Bearing 2D drawings and 3D CAD models

Bore Diameter	41,275 mm
d	41,275 mm
L2	16 mm
L3	83 mm
A	49 mm
A1	17,5 mm
B	49,2 mm
H	117 mm
H1	101,6 mm
H2	83 mm
L	144 mm
L1	87 mm
N	29 mm
N1	19 mm
S	19 mm
A2	35 mm
N2	49 mm
Weight	2,4 Kg
Basic dynamic load rating (C)	34,1 kN
Basic static load rating (C0)	21,3 kN