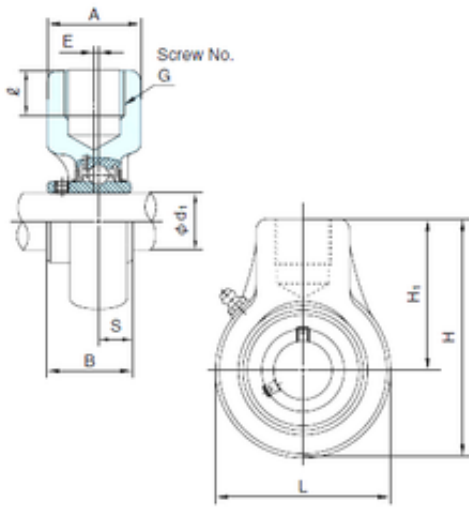




BEARING-SINGAPORE (PTE)LTD.



NACHI UCECH206 bearing units

Bearing No. UCECH206

Bore Diameter	30 mm
Width	38.1 mm
d	30 mm
A	40 mm
B	38.1 mm
E	0 mm
H	104 mm
H1	64 mm
L	80 mm
S	15.9 mm
	19 Tolerance h14
Thread (G)	PF3/4

UCECH206 Bearing 2D drawings and 3D CAD models