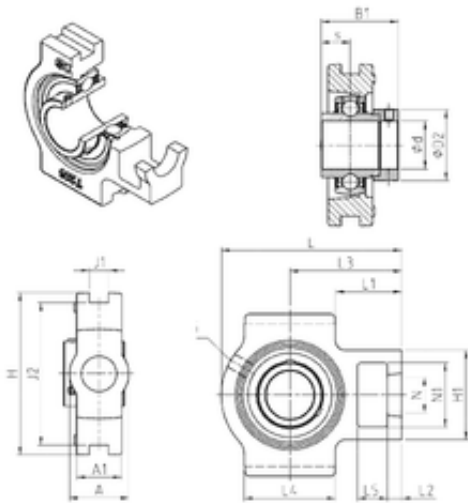




BEARING-SINGAPORE (PTE)LTD.



SNR EXT210 bearing units

Bearing No. EXT210

Bore Diameter	50 mm
d	50 mm
L4	86 mm
L5	19 mm
L2	16 mm
L3	90 mm
s	24,6 mm
A	49 mm
A1	37 mm
B1	62,7 mm
D2	69,9 mm
H	117 mm
H1	83 mm
L	149 mm
L1	47 mm
N	29 mm
N1	49 mm
Thread (G)	M6x1
J1	16 mm
J2	102 mm
Weight	2,7 Kg
Basic dynamic load rating (C)	35,1 kN
A2	37 mm
B	49.2 mm
A5	24.6 mm
d1	67.2 mm

EXT210 Bearing 2D drawings and 3D CAD models



BEARING-SINGAPORE (PTE)LTD.

G	M6x1
H2	83 mm
N2	49 mm
s1	42.9 mm
S	24.6 mm
SW	4 mm
C	35.1 kN
C0	23.2 kN
T min.	-20 ° C
T max.	100 ° C
Recommended tightening torque for set screw	11.5 Nm
Designation of housing	T210-
Designation of bearing	EX210G2