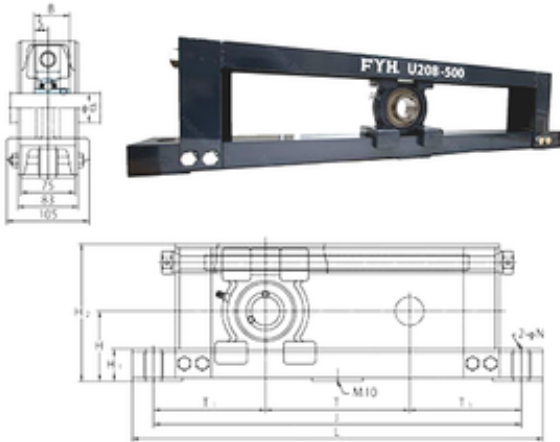




# BEARING-SINGAPORE (PTE)LTD.

## FYH UCTU212-800 bearing units

Bearing No. UCTU212-800



UCTU212-800 Bearing 2D drawings and 3D CAD models

Bore Diameter	60 mm
Width	65,1 mm
d	60 mm
T1	180 mm
B	65,1 mm
H	120 mm
H1	44 mm
H2	240 mm
J	1160 mm
L	1220 mm
N	22 mm
S	25,4 mm
T	800 mm
Bolt (G)	M18
Weight	31 Kg
Basic dynamic load rating (C)	52,4 kN
Basic static load rating (C0)	36,2 kN