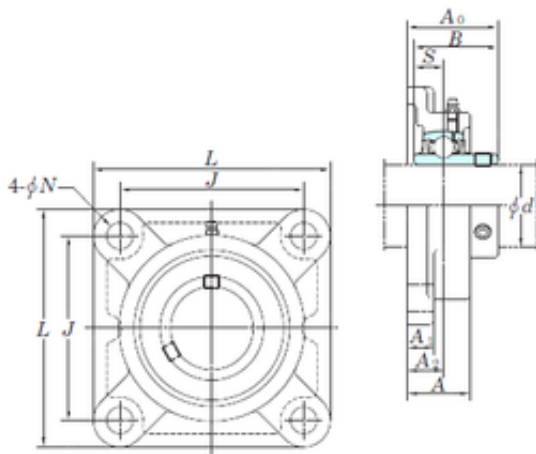




BEARING-SINGAPORE (PTE)LTD.

KOYO UCF310 bearing units

Bearing No. UCF310



UCF310 Bearing 2D drawings and 3D CAD models

Bore Diameter	50 mm
d	50 mm
A0	67 mm
A	48 mm
A1	19 mm
B	61 mm
J	132 mm
L	175 mm
N	23 mm
S	22 mm
Bolt (G)	M20
A2	28 mm
Weight	5,1 Kg
Basic dynamic load rating (C)	62 kN
Basic static load rating (C0)	38,3 kN
Category	Bearings
Inventory	0.0
Manufacturer Name	KOYO
Minimum Buy Quantity	N/A
Weight / Kilogram	1
Product Group	M06110
Bearing No.	UCF310
Bolt size	M20
Cr	62.0
C0r	38.3
f0	13.2



BEARING-SINGAPORE (PTE)LTD.

(Refer.)Unit mass(kg)	5.1
Nipple size	R1/8