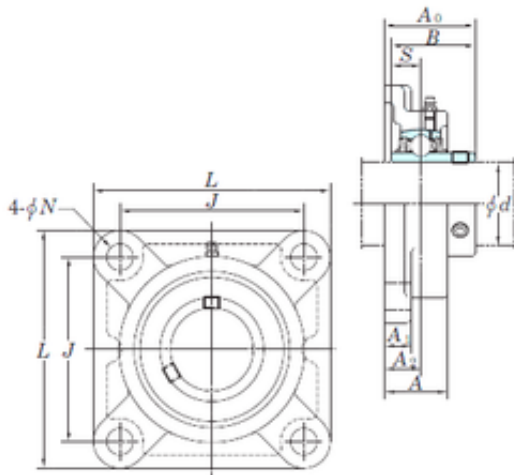




BEARING-SINGAPORE (PTE)LTD.

KOYO UCFX11E bearing units



Bearing No. UCFX11E

Bore Diameter	55 mm
d	55 mm
A0	68,7 mm
A	49 mm
A1	20 mm
B	65,1 mm
J	143 mm
L	175 mm
N	16,5 mm
S	25,4 mm
Bolt (G)	9/16
A2	29 mm
Weight	4,9 Kg
Basic dynamic load rating (C)	52,4 kN
Basic static load rating (C0)	36,2 kN

UCFX11E Bearing 2D drawings and 3D CAD models