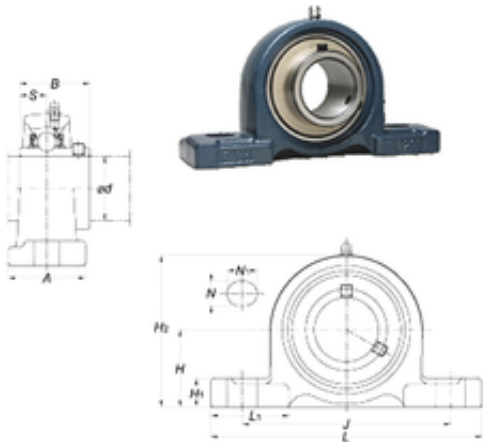




# BEARING-SINGAPORE (PTE)LTD.

## FYH UCP201-8 bearing units



Bearing No. UCP201-8

Bore Diameter	12,7 mm
Width	31 mm
d	12,7 mm
A	38 mm
B	31 mm
H	30,2 mm
H1	12 mm
H2	60 mm
J	95 mm
L	127 mm
L1	38 mm
N	13 mm
N1	18 mm
S	12,7 mm
Bolt (G)	M10
Weight	0,63 Kg
Basic dynamic load rating (C)	12,8 kN
Basic static load rating (C0)	6,65 kN

UCP201-8 Bearing 2D drawings and 3D CAD models