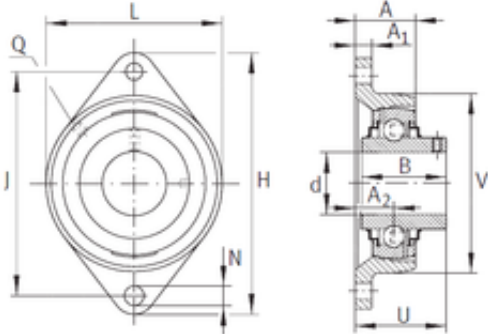




BEARING-SINGAPORE (PTE)LTD.

INA RCJTY1-15/16 bearing units



Bearing No. RCJTY1-15/16

Bore Diameter	49,213 mm
d	49,213 mm
V	116,51 mm
U	60,604 mm
Thread (Q)	1/8 NPT
A	43,002 mm
A1	16,002 mm
B	51,587 mm
H	191,008 mm
J	156,997 mm
L	116,51 mm
N	16,993 mm
A2	27,991 mm

RCJTY1-15/16 Bearing 2D drawings and 3D CAD models