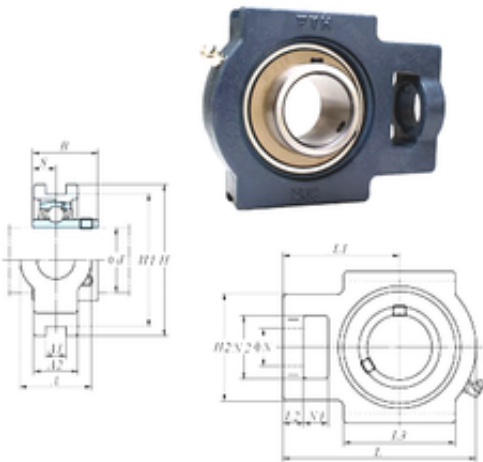




BEARING-SINGAPORE (PTE)LTD.

FYH UCTX10-31 bearing units



Bearing No. UCTX10-31

Bore Diameter	49,2125 mm
d	49,2125 mm
L2	19 mm
L3	95 mm
A	64 mm
A1	22 mm
B	55,6 mm
H	146 mm
H1	130 mm
H2	102 mm
L	171 mm
L1	106 mm
N	35 mm
N1	25 mm
S	22,2 mm
A2	42 mm
N2	64 mm
Weight	4,4 Kg
Basic dynamic load rating (C)	43,4 kN
Basic static load rating (C0)	29,4 kN

UCTX10-31 Bearing 2D drawings and 3D CAD models