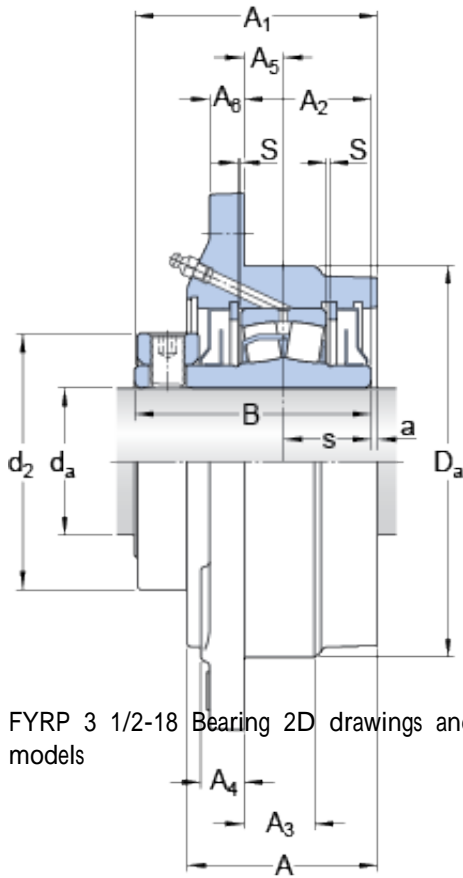




BEARING-SINGAPORE (PTE)LTD.



FYRP 3 1/2-18 Bearing 2D drawings and 3D CAD models

SKF FYRP 3 1/2-18 bearing units

Bearing No. FYRP 3 1/2-18

Size	88.9x130.175x187.325 mm
Bore Diameter	88,9 mm
Outer Diameter	130,175 mm
Width	187,325 mm
d _a	88.9 mm
d ₂	130.175 mm
D _a	187.325 mm
A	80.962 mm
A ₁	106.362 mm
A ₂	49.212 mm
A ₃	31.75 mm
A ₄	26.988 mm
A ₅	13.494 mm
A ₆	22.225 mm
B	102.394 mm
a	4.762 mm
J	219.075 mm
L	260.35 mm
N ₁	20.638 mm
s	36.512 mm
S	0.794 mm
Basic dynamic load rating - C	253 kN
Limiting speed	2600 r/min
d _a	88.9 mm



BEARING-SINGAPORE (PTE)LTD.

d_2	130.175 mm
D_a	187.325 mm
A_1	106.362 mm
A_2	49.212 mm
A_3	31.75 mm
A_4	26.988 mm
A_5	13.494 mm
A_6	22.225 mm
N_1	20.637 mm
Basic dynamic load rating C	253 kN
Mass bearing unit	13.2 kg
Attachment bolt diameter G	19.05 mm