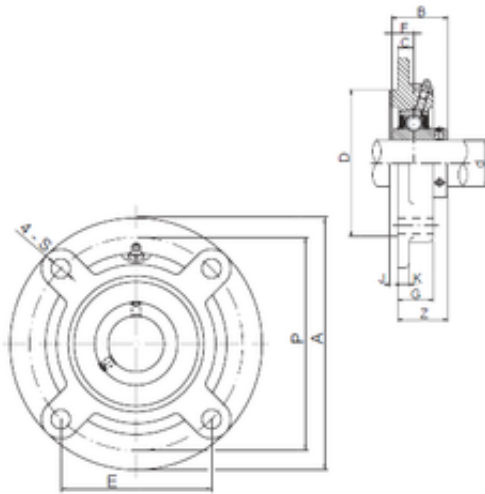




BEARING-SINGAPORE (PTE)LTD.

30 mm x 80 mm x 38,1 mm ISO UCFC206
bearing units

Bearing No. UCFC206



UCFC206 Bearing 2D drawings and 3D CAD models

Bore Diameter	30 mm
d	30 mm
P	100 mm
Z	32,2 mm
A	125 mm
B	38,1 mm
C	10 mm
D	80 mm
E	70,7 mm
F	15,9 mm
G	23 mm
J	8 mm
K	8 mm
S	12 mm
Bolt (G)	M10