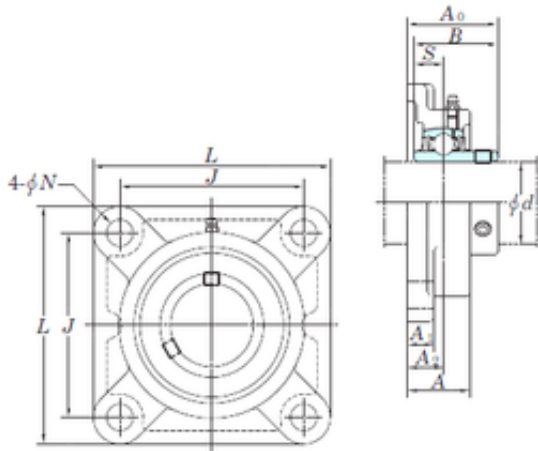




BEARING-SINGAPORE (PTE)LTD.

KOYO UCFX12 bearing units



Bearing No. UCFX12

Bore Diameter	60 mm
d	60 mm
A0	73,7 mm
A	59 mm
A1	21 mm
B	65,1 mm
J	149 mm
L	187 mm
N	19 mm
S	25,4 mm
Bolt (G)	M16
A2	34 mm
Weight	5,7 Kg
Basic dynamic load rating (C)	57,2 kN
Basic static load rating (C0)	40,1 kN
Bearing No.	UCFX12
Bolt size	M16
Cr	57.2
C0r	40.1
f0	14.4
(Refer.)Unit mass(kg)	5.7
Nipple size	R1/8

UCFX12 Bearing 2D drawings and 3D CAD models