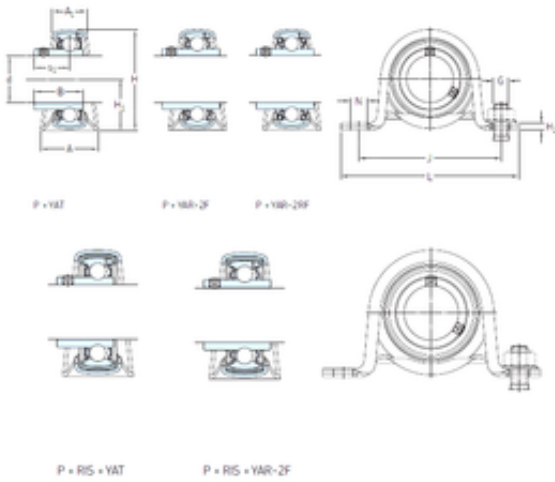




# BEARING-SINGAPORE (PTE)LTD.



## SKF P 25 RM bearing units

Bearing No. P 25 RM

Bore Diameter	25 mm
d	25 mm
s <sub>1</sub>	19,5 mm
A	32 mm
A <sub>1</sub>	24 mm
B	27,2 mm
H	56 mm
H <sub>1</sub>	28,3 mm
H <sub>2</sub>	3,2 mm
J	86 mm
L	108 mm
N	11,2 mm
Thread (G)	10
Weight	0,24 Kg
Basic dynamic load rating (C)	14 kN
Basic static load rating (C <sub>0</sub> )	7,8 kN
Housing material	Pressed steel
A <sub>1</sub>	23 mm
B <sub>4</sub>	5 mm
H <sub>1</sub>	28.4 mm
H <sub>2</sub>	3.2 mm
s <sub>1</sub>	19.5 mm
Basic dynamic load rating C	14 kN
Basic static load rating C <sub>0</sub>	7.8 kN
Fatigue load limit P <sub>u</sub>	0.335 kN
Permissible radial housing	1.8 kN

P 25 RM Bearing 2D drawings and 3D CAD models



## BEARING-SINGAPORE (PTE)LTD.

load max.	
Limiting speed	7000 r/min
Mass bearing unit	0.24 kg
Thread grub screw G <sub>2</sub>	M6x0.75
Hexagonal key size for grub screw N	3 mm
Recommended tightening torque for grub screw	4 N · m
Recommended diameter for attachment bolts, mm G	10 mm
Recommended diameter for attachment bolts, inch G	0.375 in