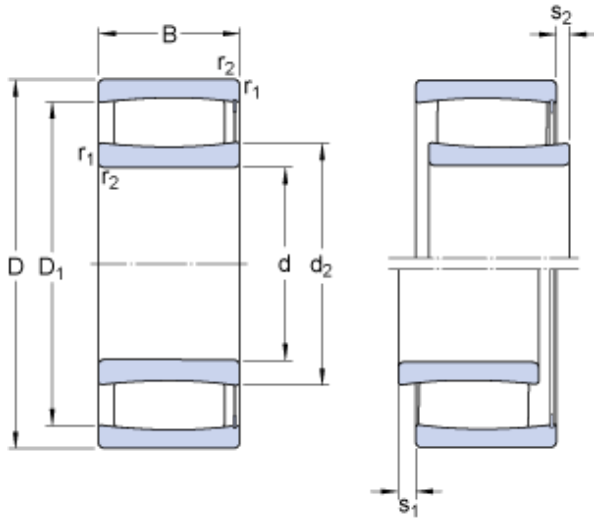




BEARING-SINGAPORE (PTE)LTD.



180 mm x 280 mm x 100 mm SKF C 4036 V
cylindrical roller bearings

Bearing No. C 4036 V

C 4036 V Bearing 2D drawings and 3D CAD models

Size	280x180x100 mm
Bore Diameter	280 mm
Outer Diameter	180 mm
Width	100 mm
d	180 mm
D	280 mm
B	100 mm
d ₂	203 mm
D ₁	247 mm
s ₁	20.1 mm
s ₂	10.2 mm
r _{1,2} - min.	2.1 mm
d _a - min.	191 mm
d _a - max.	229 mm
D _a - max.	269 mm
r _a - max.	2 mm
Basic dynamic load rating - C	1320 kN
Basic static load rating - C ₀	2120 kN
Fatigue load limit - P _u	196 kN
Limiting speed	430 r/min
Factor - k ₁	0.107
Factor - k ₂	0.103
d ₂	203 mm



BEARING-SINGAPORE (PTE)LTD.

D_1	247 mm
s_1 max.	20.1 mm
s_2 max.	10.2 mm
$r_{1,2}$ min.	2.1 mm
d_a min.	191 mm
d_a max.	229 mm
D_a max.	269 mm
r_a max.	2 mm
Basic dynamic load rating C	1320 kN
Basic static load rating C_0	2120 kN
Fatigue load limit P_u	196 kN
Misalignment factor k_1	0.107
Operating clearance factor k_2	0.103
Mass bearing	23.5 kg