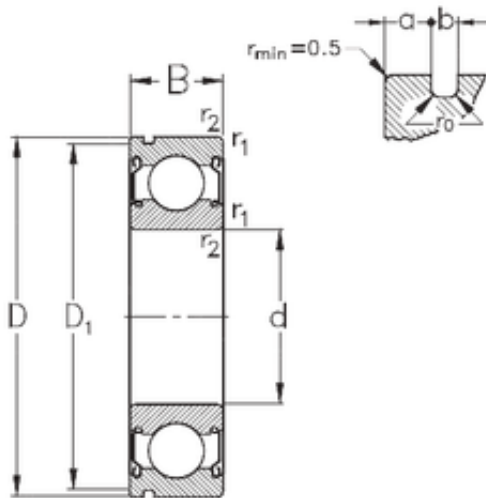




BEARING-SINGAPORE (PTE)LTD.



55 mm x 90 mm x 18 mm NKE 6011-2Z-N deep groove ball bearings

Bearing No. 6011-2Z-N

| | |
|-------------------------------|-------------|
| Size | 55x90x18 mm |
| Bore Diameter | 55 mm |
| Outer Diameter | 90 mm |
| Width | 18 mm |
| d | 55 mm |
| D | 90 mm |
| B | 18 mm |
| C | 18 mm |
| a | 3,28 mm |
| b | 2,7 mm |
| f | 2,46 mm |
| r1 min. | 1,1 mm |
| r2 min. | 1,1 mm |
| D1 | 86,79 mm |
| D2 | 96,5 mm |
| Weight | 0,311 Kg |
| Basic dynamic load rating (C) | 28,2 kN |
| Basic static load rating (C0) | 21,3 kN |

6011-2Z-N Bearing 2D drawings and 3D CAD models