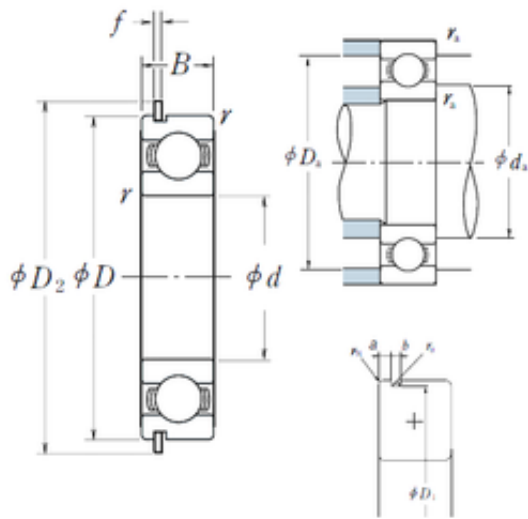




BEARING-SINGAPORE (PTE)LTD.



45 mm x 85 mm x 19 mm NSK 6209NR deep groove ball bearings

Bearing No. 6209NR

Size	45x85x19 mm
Bore Diameter	45 mm
Outer Diameter	85 mm
Width	19 mm
d	45 mm
D	85 mm
B	19 mm
C	19 mm
rn	0,5 mm
a	3,28 mm
b	1,9 mm
f	1,7 mm
r min.	1,1 mm
r0 max.	0,6 mm
D1	81,81 mm
D2	91,6 mm
da min.	51,5 mm
da max	55,5 mm
Da max.	78,5 mm
ra max.	1 mm
Weight	0,42 Kg
Basic dynamic load rating (C)	31,5 kN
Basic static load rating (C0)	20,4 kN
(Grease) Lubrication Speed	7 500 r/min
(Oil) Lubrication Speed	9 000 r/min

6209NR Bearing 2D drawings and 3D CAD models



BEARING-SINGAPORE (PTE)LTD.

Category	Single Row Ball Bearings
Inventory	0.0
Manufacturer Name	NSK
Minimum Buy Quantity	N/A
Weight / Kilogram	0.41
EAN	0029176034657
Product Group	B00308
Enclosure	Open
Precision Class	ABEC 1 ISO P0
Maximum Capacity / Filling Slot	No
Rolling Element	Ball Bearing
Snap Ring	Yes
Internal Special Features	No
Cage Material	Steel
Internal Clearance	C0-Medium
Inch - Metric	Metric
Long Description	45MM Bore; 85MM Outside Diameter; 19MM Outer Race Diameter; Open; Ball Bearing; ABEC 1 ISO P0; No Filling Slot; Yes Snap Ring; No Internal Special Features
Category	Single Row Ball Bearing
UNSPSC	31171504
Harmonized Tariff Code	8482.10.50.68
Noun	Bearing
Keyword String	Ball
Manufacturer URL	http://www.nskamericas.com
Manufacturer Item Number	6209NR
Weight / LBS	0.438
Bore	1.772 Inch 45 Millimeter
Outside Diameter	3.346 Inch 85 Millimeter



BEARING-SINGAPORE (PTE)LTD.

Outer Race Width	0.748 Inch 19 Millimeter
SRI	6.16
hidYobi	6209NR
LangID	1
ro	0.6
D_	85
SREX	0.025
B_	19
da min	51.5
hidTable	ecat_NS RDGB
Oil rpm	9000
SRE	6.16
Cy	4.6
mass	0.42
GRS rpm	7500
ra	1
SRIX	0.025
D_a	78.5
SRIN	-0.025
C0	20.4
fo	14.4
SREN	-0.025
DE_	76.906
Prod_Type3	DGBB_SR_NR_OT
DA_	11.906
bomp	0
Z_	10
yobi	6209NR
Dx	93
C_conv	31500
ALPHA_	0
SDM_	65



BEARING-SINGAPORE (PTE)LTD.

r	1.1
KBRG	6101
SBRG	2
DI_	53.094