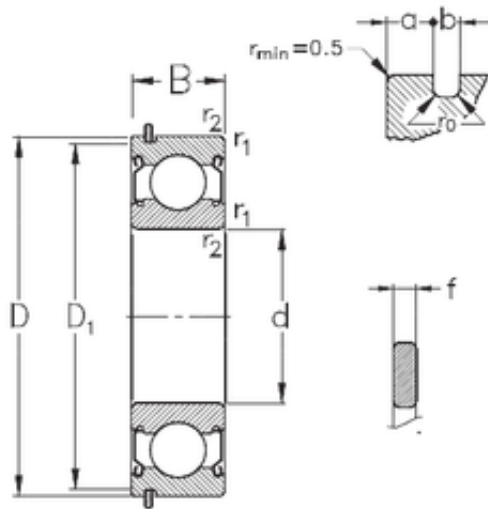




BEARING-SINGAPORE (PTE)LTD.



10 mm x 30 mm x 9 mm NKE 6200-2Z-NR
deep groove ball bearings

Bearing No. 6200-2Z-NR

Size	10x30x9 mm
Bore Diameter	10 mm
Outer Diameter	30 mm
Width	9 mm
d	10 mm
D	30 mm
B	9 mm
C	9 mm
a	2,06 mm
b	1,35 mm
f	1,12 mm
r1 min.	0,6 mm
r2 min.	0,6 mm
D1	28,17 mm
D2	34,7 mm
Weight	0,03 Kg
Basic dynamic load rating (C)	5,1 kN
Basic static load rating (C0)	2,4 kN

6200-2Z-NR Bearing 2D drawings and 3D CAD models