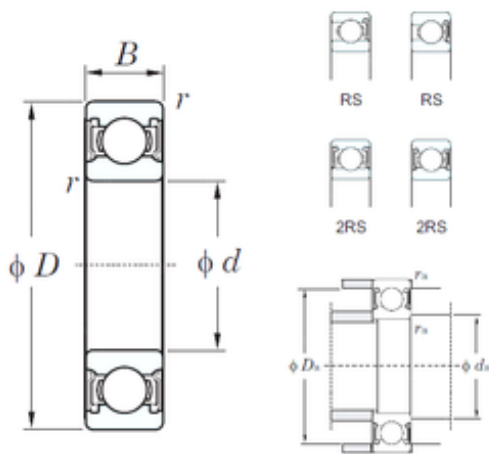




BEARING-SINGAPORE (PTE)LTD.



95 mm x 130 mm x 18 mm KOYO 6919-2RS
deep groove ball bearings

Bearing No. 6919-2RS

Size	95x130x18 mm
Bore Diameter	95 mm
Outer Diameter	130 mm
Width	18 mm
d	95 mm
D	130 mm
B	18 mm
C	18 mm
r min.	1,1 mm
da min.	101,5 mm
da max	102 mm
Da max.	123,5 mm
ra max.	1 mm
Weight	0,705 Kg
Basic dynamic load rating (C)	33,7 kN
Basic static load rating (C0)	33,5 kN
(Grease) Lubrication Speed	2700 r/min

6919-2RS Bearing 2D drawings and 3D CAD models