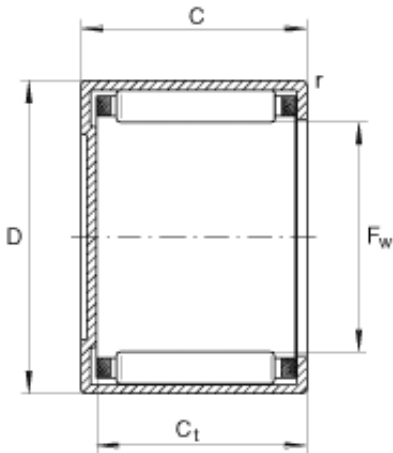




BEARING-SINGAPORE (PTE)LTD.



INA BK1010 needle roller bearings

Bearing No. BK1010

Size	10x14x10 mm
Bore Diameter	10 mm
Outer Diameter	14 mm
Width	10 mm
F_w	10 mm
D	14 mm
C - 10 mm / Tolerance: -0,3	10 mm / Tolerance: 0,3
C_{tmin}	8,4 mm
r_{min}	0,4 mm
m	4,3 g / Weight
C_r	4400 N / Dynamic load rating (radial)
C_{0r}	5100 N / Static load rating (radial)
C_{ur}	650 N / Fatigue limit load, radial
n_G	24300 1/min / Limiting speed
n_B	17400 1/min / Reference speed
	LR7X10X10,5 / Suitable inner ring
	IR7X10X10,5 / Suitable inner ring
Category	Needle Non Thrust Roller Bearings
Inventory	0.0
Manufacturer Name	SCHAEFFLER GROUP

BK1010 Bearing 2D drawings and 3D CAD models



BEARING-SINGAPORE (PTE)LTD.

Minimum Buy Quantity	N/A
Weight / Kilogram	0
EAN	4012802033373
Product Group	B04144
Rolling Element	Needle Roller Bearing
Component	Roller Assembly with Outer Ring - No Inner Ring
Enclosure	Open
Self Aligning	No
Retainer	Yes
Number of Rows of Rollers	Single Row
Separable	No
Closed End	Yes
Inch - Metric	Metric
Relubricatable	No
Thrust Bearing	No
Long Description	10MM Bore; 14MM Outside Diameter; 10MM Width; Needle Roller Bearing; Roller Assembly with Outer Ring - No Inner Ring; Open; Not Self Aligning; Retainer; Single Row of Rollers; Not Separable; Closed En
Other Features	1 Rib Outer Ring Drawn Cup Bearing Steel Cage
Category	Needle Non Thrust Roller Bearing
UNSPSC	31171512
Harmonized Tariff Code	8482.99.65.30
Noun	Roller Assembly with Outer Ring
Keyword String	Bearing Needle
Manufacturer URL	http://www.ina.com
Manufacturer Item Number	BK1010



BEARING-SINGAPORE (PTE)LTD.

Weight / LBS	0.009
Outside Diameter	0.551 Inch 14 Millimeter
Bore	0.394 Inch 10 Millimeter
Width	0.394 Inch 10 Millimeter