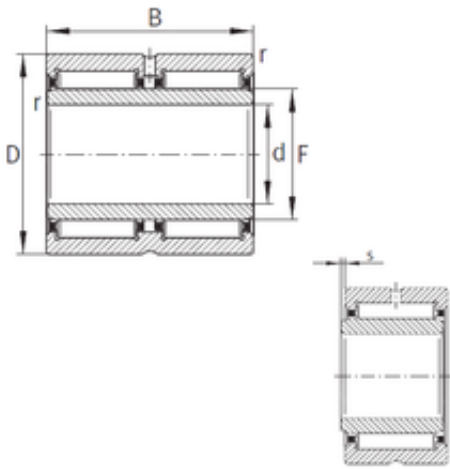




BEARING-SINGAPORE (PTE)LTD.

90 mm x 125 mm x 63 mm INA NA6918-ZW-XL needle roller bearings

Bearing No. NA6918-ZW-XL



NA6918-ZW-XL Bearing 2D drawings and 3D CAD models

Size	90x125x63 mm
Bore Diameter	90 mm
Outer Diameter	125 mm
Width	63 mm
d	90 mm
Fw	105 mm
D	125 mm
B	63 mm
C	63 mm
r min.	1,1 mm
S	1 mm
Weight	2,31 Kg
Basic dynamic load rating (C)	195 kN
Basic static load rating (C0)	425 kN
Fatigue load limit (Pu)	74
Reference speed	2 600 r/min