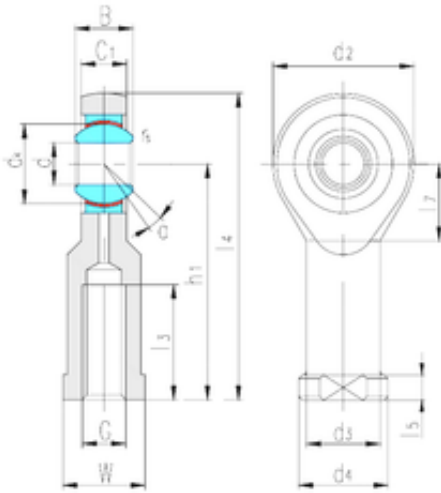




BEARING-SINGAPORE (PTE)LTD.



SIK5C Bearing 2D drawings and 3D CAD models

LS SIK5C plain bearings

Bearing No. SIK5C

Bore Diameter	5 mm
d	5 mm
B	8 mm
d2	19,5 mm
d3	10 mm
d4	13 mm
dk	11,112 mm
h1	30 mm
l3 min.	12 mm
l4 max.	39,8 mm
l5	5 mm
l7 min.	9,5 mm
r min.	0,3 mm
C1	6 mm
W	10 mm
Thread (G)	M5
Angle	4 °
Weight	0,024 Kg
Basic dynamic load rating (C)	3,6 kN