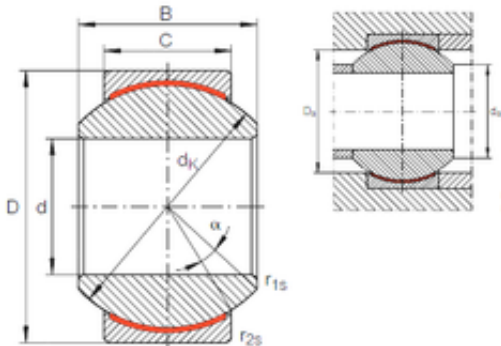




BEARING-SINGAPORE (PTE)LTD.

16 mm x 32 mm x 21 mm INA GE 16 PW plain bearings



GE 16 PW Bearing 2D drawings and 3D CAD models

Bearing No. GE 16 PW

Size	16x32x21 mm
Bore Diameter	16 mm
Outer Diameter	32 mm
Width	21 mm
d	16 mm
D	32 mm
B	21 mm
C	15 mm
dk	28,575 mm
r1 min.	0,3 mm
r2 min.	0,3 mm
da max	19,3 mm
Da min	25,5 mm
Angle	15 °
Weight	0,079 Kg
Basic dynamic load rating (C)	39 kN