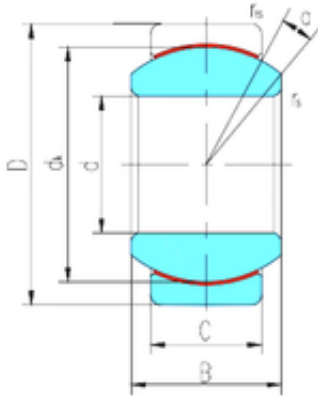




BEARING-SINGAPORE (PTE)LTD.

17 mm x 30 mm x 14 mm LS GE17ET-2RS plain bearings



Bearing No. GE17ET-2RS

Size	17x30x14 mm
Bore Diameter	17 mm
Outer Diameter	30 mm
Width	14 mm
d	17 mm
D	30 mm
B	14 mm
C	10 mm
dk	25 mm
r min.	0,3 mm
r1 min.	0,3 mm
Angle	10 °
Weight	0,04 Kg
Basic dynamic load rating (C)	32 kN

GE17ET-2RS Bearing 2D drawings and 3D CAD models