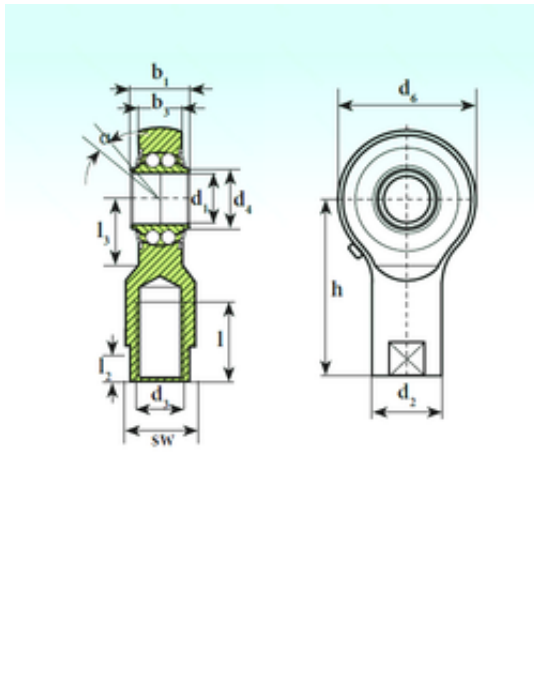




BEARING-SINGAPORE (PTE)LTD.



TSF 10 BB-E Bearing 2D drawings and 3D CAD models

ISB TSF 10 BB-E self aligning ball bearings

Bearing No. TSF 10 BB-E

Bore Diameter	10 mm
d1	10 mm
l	17 mm
d1	13 mm
d2	15 mm
d4	13,0 mm
d6	30 mm
h1	38 mm
l3 min.	14,5 mm
r	10 mm
SW	13 mm
B3	9 mm
Thread (G)	M8
Angle	7 °
Weight	0,063 Kg
Basic dynamic load rating (C)	2,6 kN
Basic static load rating (C0)	0,99 kN
Limiting speed	1230 r/min
Calculation factor (Y)	1,9