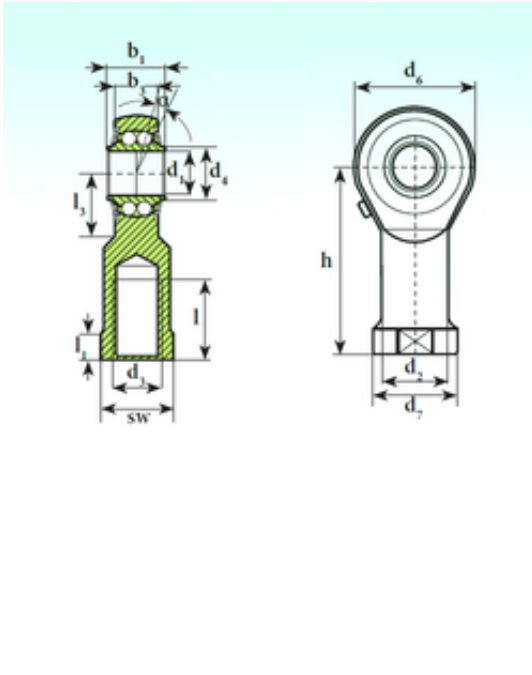




BEARING-SINGAPORE (PTE)LTD.



TSF 35 BB Bearing 2D drawings and 3D CAD models

ISB TSF 35 BB self aligning ball bearings

Bearing No. TSF 35 BB

Bore Diameter	35 mm
d1	35 mm
d7	58 mm
l	56 mm
b1	43 mm
d2	48 mm
d4	40 mm
d6	81 mm
h	125 mm
l1 min.	17 mm
l3 min.	45 mm
SW	50 mm
B3	28 mm
Thread (G)	M36x2
Angle	8 °
Weight	1,6 Kg
Basic dynamic load rating (C)	25 kN
Basic static load rating (C0)	8 kN
Limiting speed	450 r/min
Calculation factor (Y)	2,7