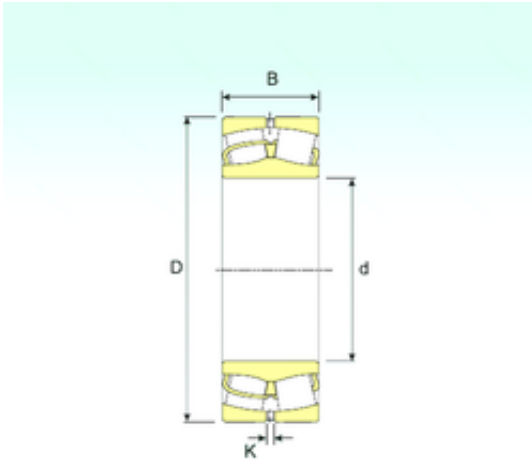




BEARING-SINGAPORE (PTE)LTD.



239/710 Bearing 2D drawings and 3D CAD models

710 mm x 950 mm x 180 mm ISB 239/710
spherical roller bearings

Bearing No. 239/710

Size	710x950x180 mm
Bore Diameter	710 mm
Outer Diameter	950 mm
Width	180 mm
d	710 mm
D	950 mm
B	180 mm
C	180 mm
K	12 mm
Weight	365 Kg
Basic dynamic load rating (C)	5488 kN
Basic static load rating (C0)	11760 kN
(Grease) Lubrication Speed	459 r/min