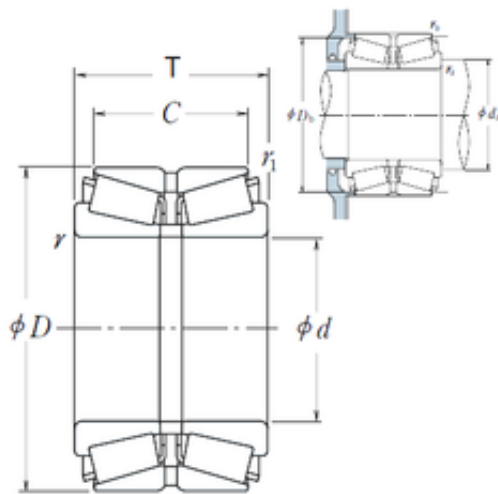




BEARING-SINGAPORE (PTE)LTD.



160KBE43+L Bearing 2D drawings and 3D CAD models

NSK 160KBE43+L tapered roller bearings

Bearing No. 160KBE43+L

Size	160x340x160 mm
Bore Diameter	160 mm
Outer Diameter	340 mm
Width	160 mm
d	160 mm
D	340 mm
T	160 mm
C	126 mm
r min.	5 mm
r1 min.	1,5 mm
da min.	187 mm
Db min.	314 mm
ra max.	4 mm
rb max.	1,5 mm
Weight	60,4 Kg
Basic dynamic load rating (C)	1310 kN
Basic static load rating (C0)	1920 kN
(Grease) Lubrication Speed	800 r/min
(Oil) Lubrication Speed	1100 r/min
Calculation factor (e)	0,36
Calculation factor (Y0)	1,8
Calculation factor (Y2)	2,8